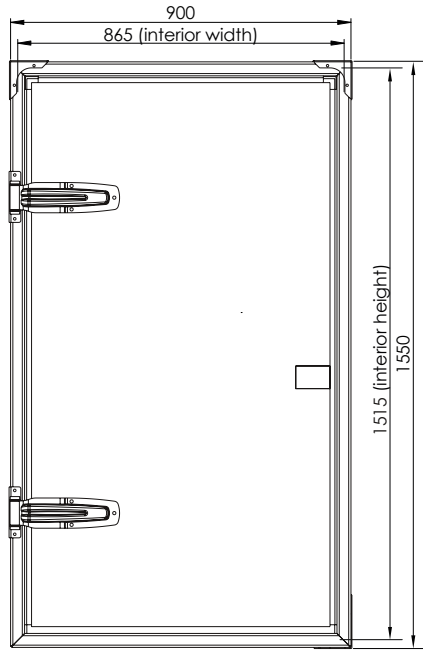
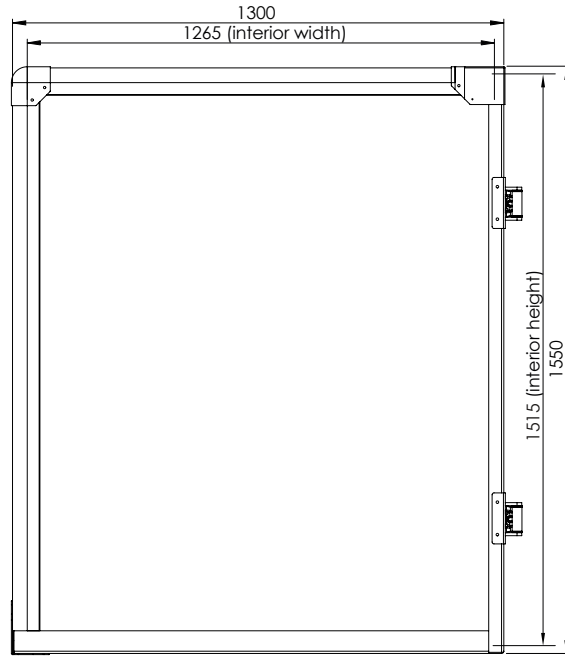


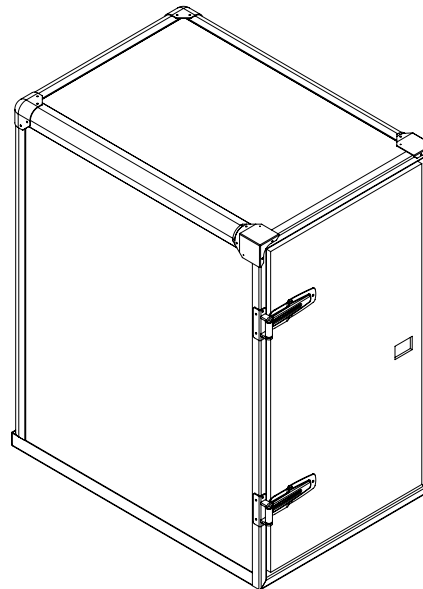
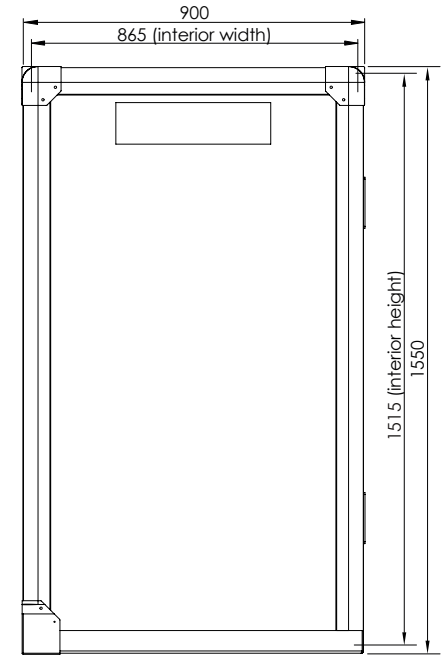
Back



Side (left= right)



Front



DIMENSIONS OUTSIDE / INSIDE

Index		Changed text							
Last nonconformity subject to DIN ISO 2768 - m		Engineering material:		Engineering material no.:		Standard:		Raw material no.:	
Index	Upd. No.	Date	Name	Weight:	58,24 kg	Author:		Date:	22.04.2020
				Surface:		Revision Name:		Date:	
						Approved:		Date:	
Title:				FlexBox 1.5 [1550 x 900 x 1300 GFK]					
Project: 50000 series				Article No.:		A00256		Index:	
Approval status:				BAYK ZERO EMISSION		Scale: 1:10		Sheet No.: 1	
Origin:				Ers. f.:		Ers. d.:		Format: A4	

Proprietary notice pursuant to ISO 14016 to be observed
 © All rights at the Humber company, also for applications for industrial property rights. We have all powers of disposal, such as copy and transfer rights!

Upd sheet: April 2020