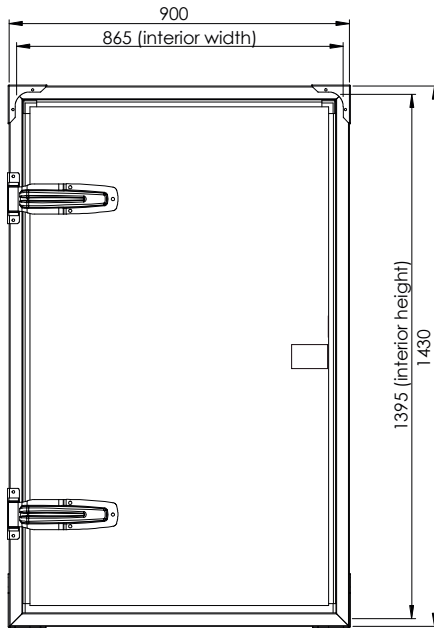
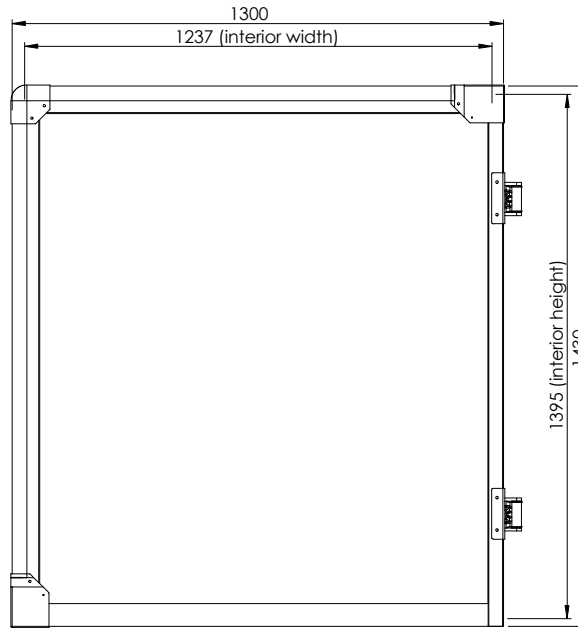


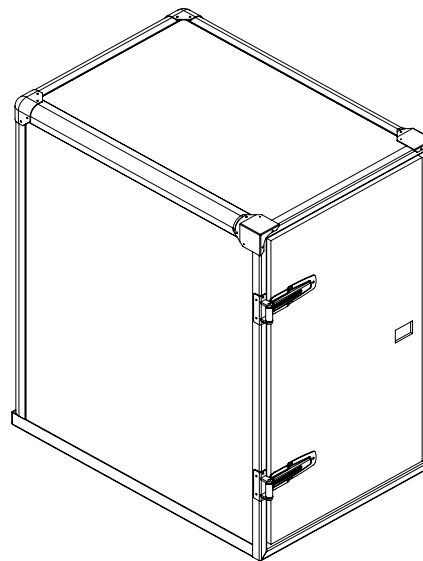
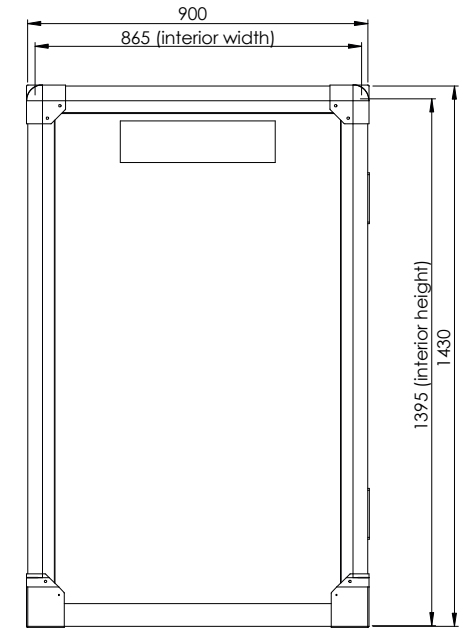
### Back



### Side (left= right)



### Front



## DIMENSIONS OUTSIDE / INSIDE

Index		Changed text					
Last nonconformity subject to DIN ISO 2768 - m		Engineering material:		Engineering material no.:		Standard:	
						Raw material no.:	
Index	Upd. No.	Date	Name	Weight:	54,62 kg	Author:	Date: 22.04.2020
				Surface:		Revision Name:	Date:
						Approved:	Date:
				Title:			
				FlexBox 1.4 [1430 x 900 x 1300 GFK]			
Project: 50000 series				BAYK ZERO EMISSION		Article No.: A00254	
Approval status:				Scale: 1:10		Sheet No: 1	
Origin:				Ers. f.:		Ers. d.:	
				Sheets: 1		Format: A4	